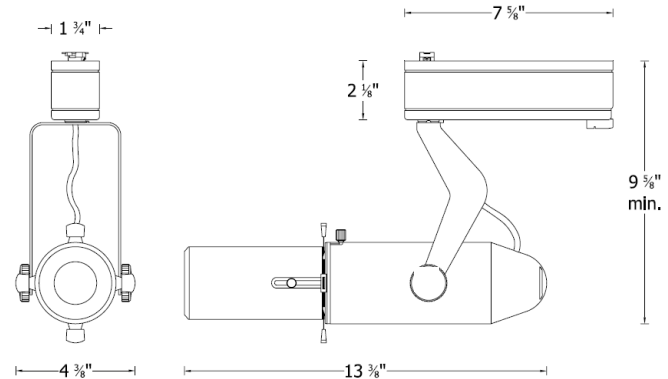


CATALOG NUMBER	TYPE
PROJECT	

FRAMING PROJECTOR – METAL HALIDE

SERIES 009-39E



Ordering Matrix

System			Model	Finish
[]			[]	[]
HTK	JTK	LTK	009-39E	BK = Black WT = White

Ordering Example (*model – series – finish*) : JTK-009-39E-BK

Product Details

Description: Metal Halide track mounted framing projector. Designed for use with H, L, J & J2 series track and other manufacturers' track (consult factory for specific brands). Accepts "D" sized gobos

Materials: Die-cast aluminum track head with polycarbonate transformer case and track adapter. Two focusing lenses and metal shims contained in framing snoot.

Ballast: ANSI # : M130
(**Advance**) Line Current : 0.40 Amps
Input Power : 45W
Input Voltage : 120V
Power Factor : > 90%
Sound Rating : A
End of lamp life detection to shut down circuit.

Aiming: 350° horizontal rotation and 90° vertical aiming. Four metal framing shims. Two lenses allow size control and edge definition.

Socket: Ceramic HID GX10

Lamping : Re-lamps from a rear lamp compartment using ES16 Brite Spot® lamps, 39W. Lamp not included.

Finish: Powder coat paint finish. Black (BK) or White (WT)

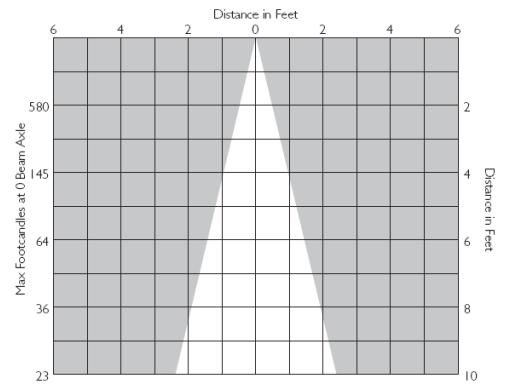
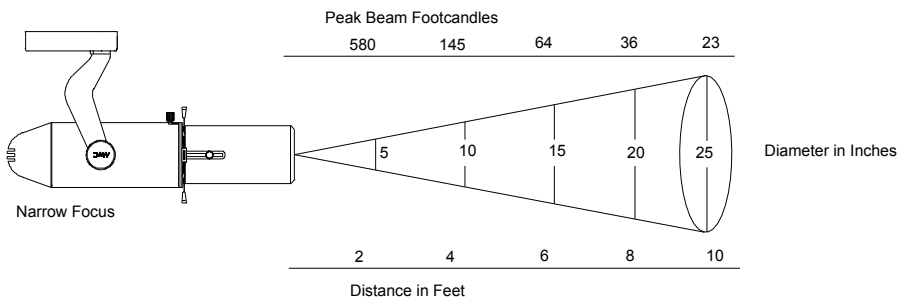
Listing: U.L. & C.U.L. listed.

Specification Features

- Track mounted framing projector for illuminating artwork and displays. Accepts "D" sized metal or glass gobos for projecting images. Glass photo gobo's should have 50mm retaining ring.
- Can use one lens accessory such as a colored dichroic lens, UV filter lens, frosted lens, etc. See catalog or website for full lens accessory selection.
- 5 Year product warranty

Performance Chart

NARROW BEAM ANGLE PROJECTION ES16 Brite Spot® 39W 24°



WIDE BEAM ANGLE PROJECTION ES16 Brite Spot® 39W 24°

